

## Quick Wits – Higher 7

1) What is the reciprocal of 0.7?

2)  $x$  is directly proportional to  $y^2$   
when  $x=500$  and  $b = 10$

Find  $a$  when  $b = 20$

3) Solve this pair of simultaneous equations

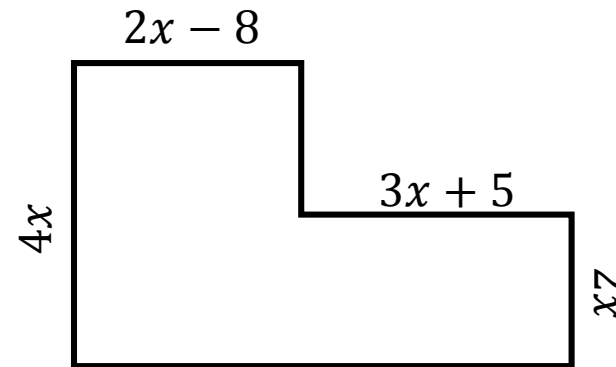
$$5x + 3y = 23$$

$$2x - y = 7$$

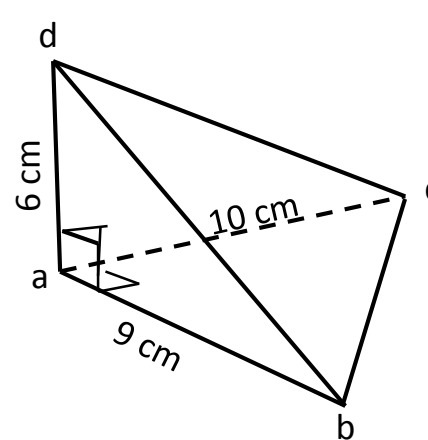
4) Change the subject for  $x$

$$y = 2x + 6tx$$

5) Find an expression for the area



6) Find the length of BD.



$$ab = 9\text{ cm}$$

$$ac = 10\text{ cm}$$

$$ad = 6\text{ cm}$$